

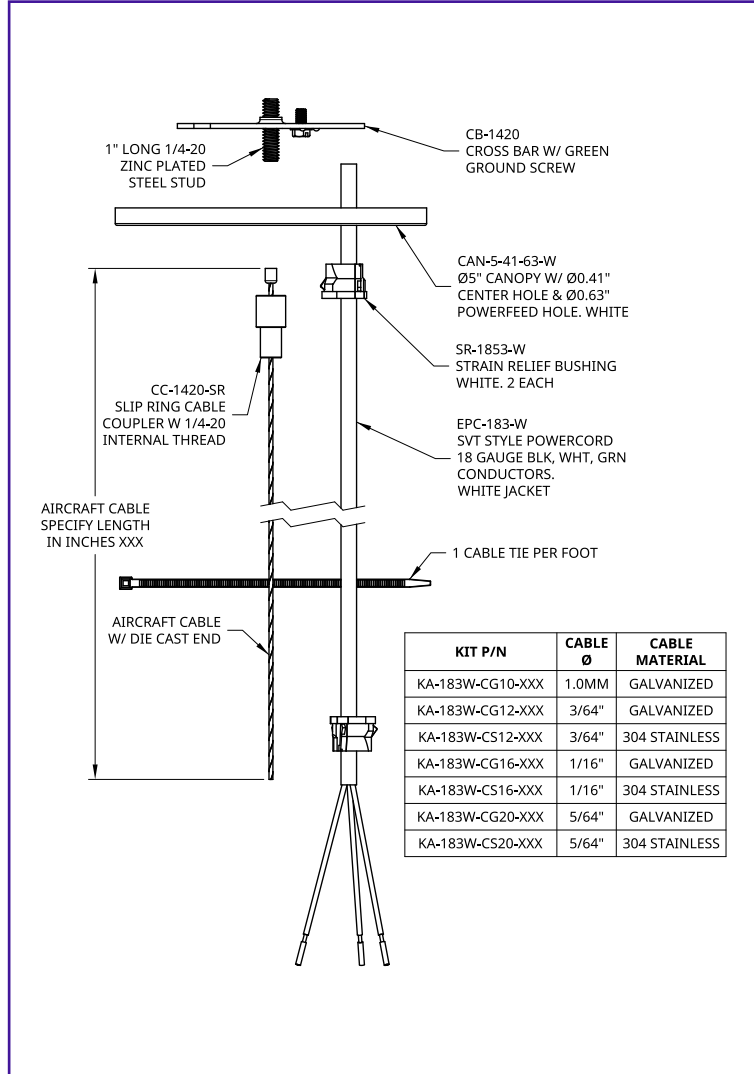
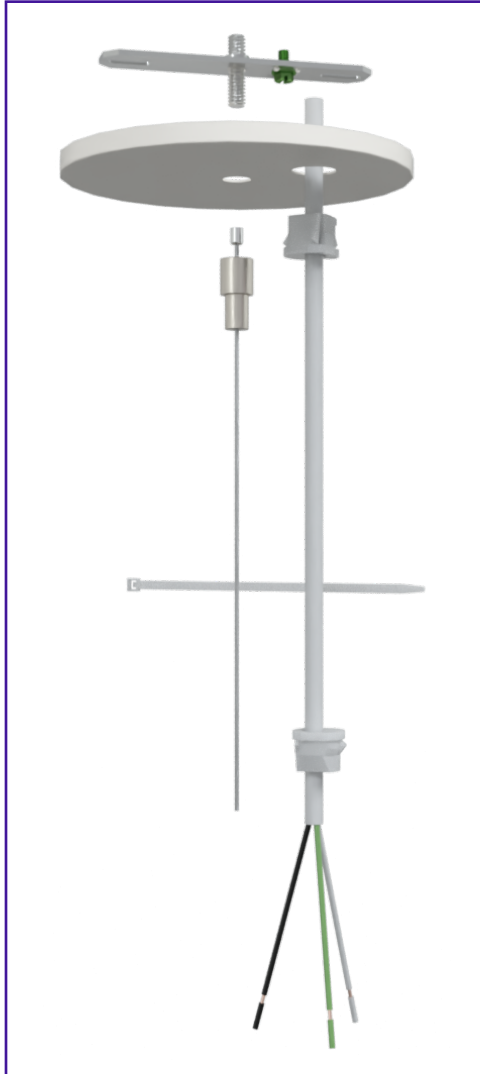
# KA-183W-CXXX-XXX

# KITS ARCHITECTURAL

Ceiling mount cable suspension hardware for quick and accurate installs. For multiple suspension applications including lighting, electrical, signage, acoustical, and displays.

### FEATURES/BENEFITS:

- 1) Fast & easy installation. Coupler joins cable to multiple ceiling hardware options with standard 1/4-20 thread.
- 2) Strength & security.
- 3) Canopy covers standard hexagonal junction box.



### SUBMITTAL INFORMATION:

Kit includes 2 each white nylon strain relief bushings. 1 each 1/4-20 Cross bar with green ground screw, 1/4-20 zinc plated steel stud, Ø5" ceiling canopy, 1/4-20 slip ring cable coupler, cable with zinc die cast, nylon cable ties and 18/3 white jacketed SVT powercord per package. Specify cable length and material.

For material specifications and finishes please check specification sheet for the individual components.

**NOT** suitable for indoor pools or other chlorinated environments.