

# CC-18IP-1420

# CABLE COUPLERS

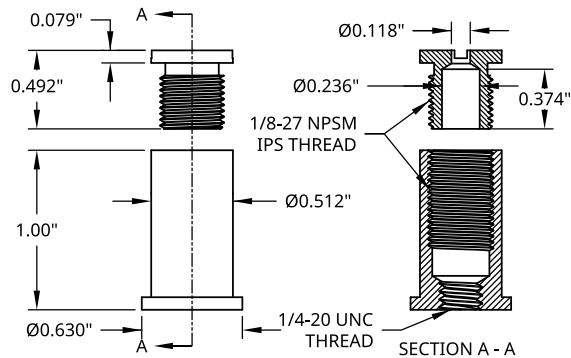
Fixed cable suspension hardware for quick and easy installs. For multiple suspension applications including lighting, signage, art, acoustical, and displays.

### FEATURES/BENEFITS:

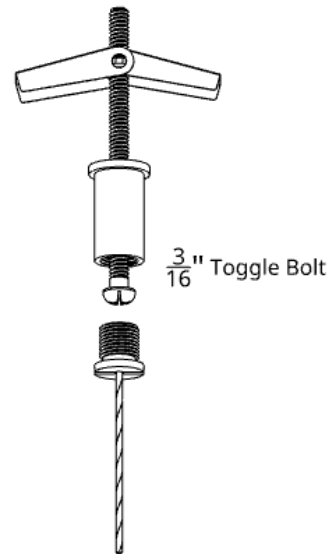
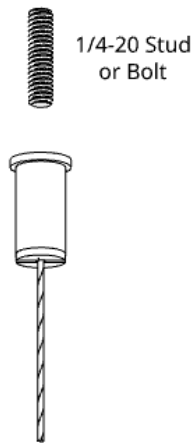
- 1) Fast & easy installation. For use w/ up to 3/32" cable with cylindrical or ball ends.
- 2) All metal parts.
- 3) Great Looks. Nickel plated machined brass.
- 4) 2 Piece coupler allows for multiple mounting options.



### DIMENSIONS:



### TYPICAL ATTACHMENT OPTIONS:



### SUBMITTAL INFORMATION:

#### MATERIAL

- UNS C3600 Brass      Plating: Bright Nickel

Working load limit is rated for full working load limit of cable diameter being used.

**NOT** suitable for indoor pools or other chlorinated environments.