

# G16-1420-S

# G16 GRIPPERS

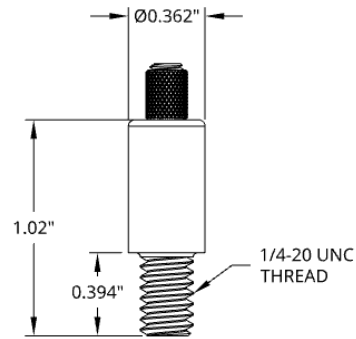
Tool less adjustable cable suspension hardware for quick and accurate installs. For multiple suspension applications including lighting, signage, art, acoustical, and displays.

### FEATURES/BENEFITS:

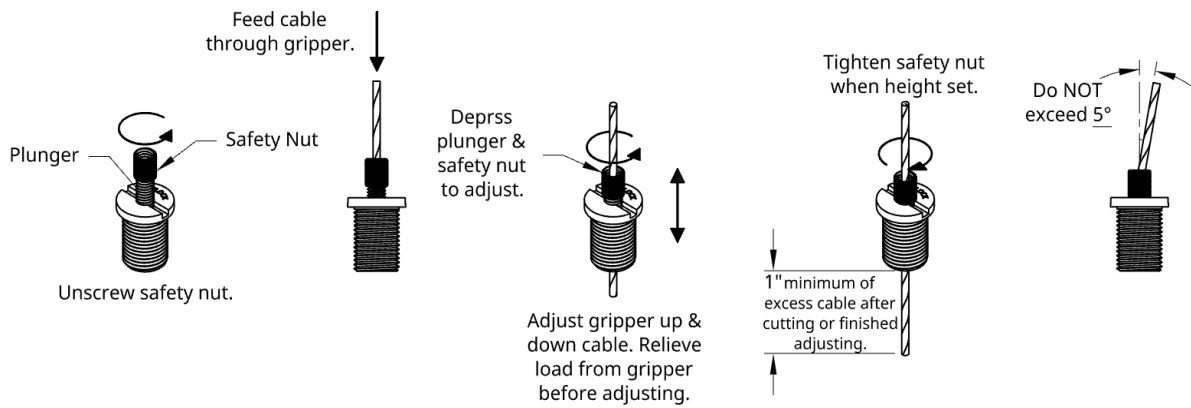
- 1) Fast & easy installation. Adjusts quickly by hand.
- 2) Strength & security. As load increases mechanism grips tighter to cable. 5:1 safety factor.
- 3) All metal parts. No plastic components.
- 4) Great Looks. Nickel plated machined brass.



### DIMENSIONS:



### INSTALLATION:



### SUBMITTAL INFORMATION:

#### MATERIAL

- Housing, Safety Nut & Plunger Release: UNS C3600 Brass
- Threaded Stud: Steel
- Ball Bearings: Brass
- Spring: 304 Stainless Steel
- Plating: Bright Nickel
- Plating: Zinc

7x7 Galvanized Cable		
Cable Diameter	3/64"	1/16"
Working Load Limit (lbs)	30	60

7x7 304 Stainless Steel Cable		
Cable Diameter	3/64"	1/16"
Working Load Limit (lbs)	25	50

**\*WLL 5:1 Safety Factor**

**NOT** suitable for indoor pools or other chlorinated environments.

