

CC-1420-SL1

CABLE COUPLERS

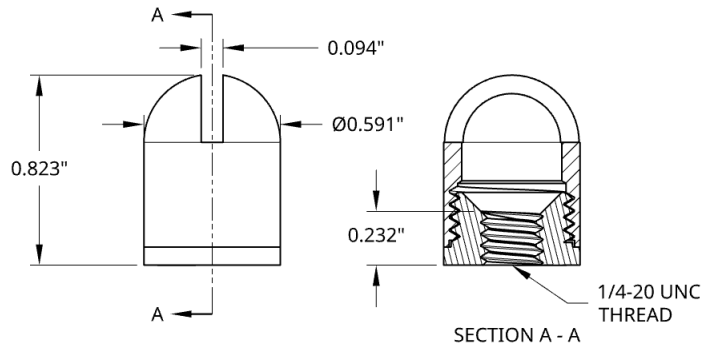
Fixed cable suspension hardware for quick and easy installs. For multiple suspension applications including lighting, signage, art, acoustical, and displays.

FEATURES/BENEFITS:

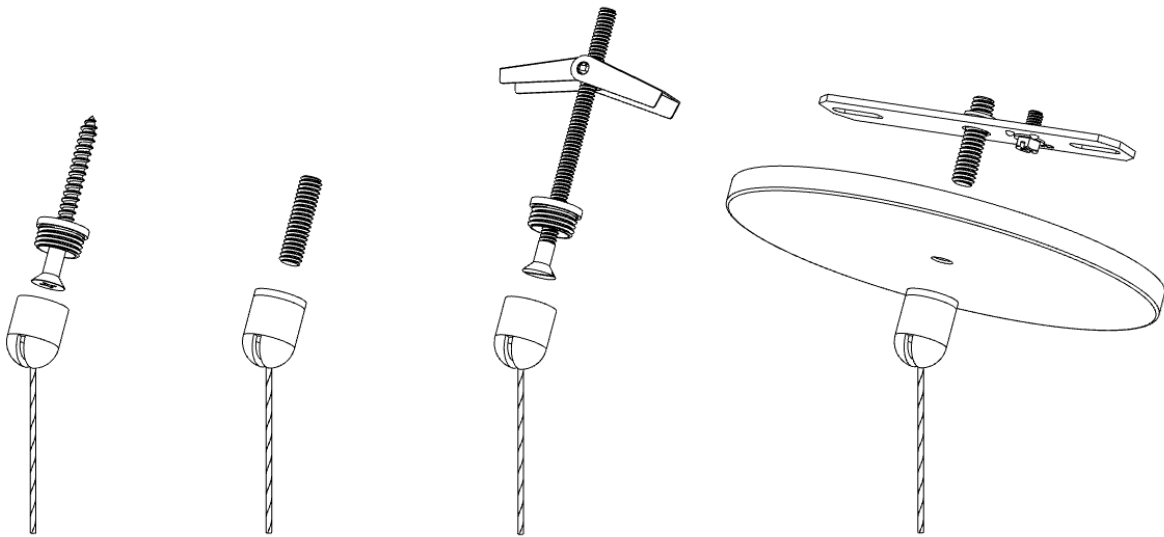
- 1) Fast & easy installation. For use w/ up to 5/64" cable with cylindrical or ball ends.
- 2) All metal parts.
- 3) Great Looks. Nickel plated machined brass.
- 4) Allows for adjustment w/ sloped or angled ceilings.
- 5) 2 Pieces allow for multiple mounting methods.



DIMENSIONS:



TYPICAL ATTACHMENT OPTIONS:



SUBMITTAL INFORMATION:

MATERIAL

- UNS C3600 Brass Plating: Bright Nickel

Working load limit is rated for full working load limit of cable diameter being used.

NOT suitable for indoor pools or other chlorinated environments.