

CC-181P

CABLE COUPLERS

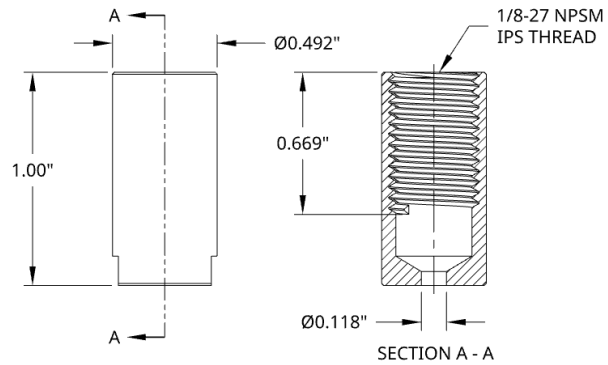
Fixed cable suspension hardware for quick and easy installs. For multiple suspension applications including lighting, signage, art, acoustical, and displays.

FEATURES/BENEFITS:

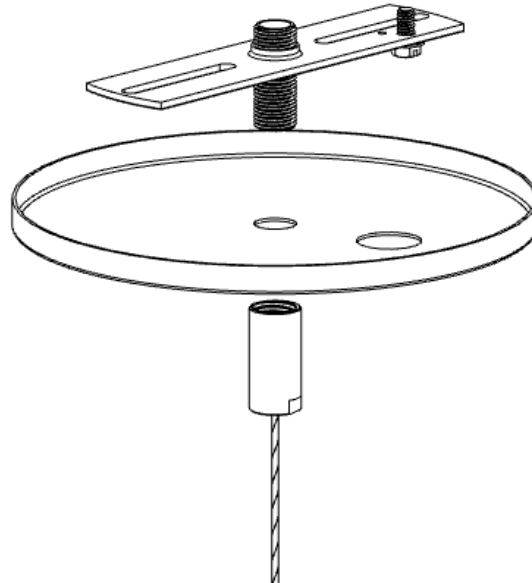
- 1) Fast & easy installation. For use with up to 3/32" cable with cylindrical or ball ends. 2) Strength & security. 3) All metal parts. No plastic. 4) Great Looks. Nickel plated machined brass.



DIMENSIONS:



TYPICAL ATTACHMENT OPTIONS:



SUBMITTAL INFORMATION:

MATERIAL

- UNS C3600 Brass Plating: Bright Nickel

Working load limit is rated for full working load limit of cable diameter being used.

NOT suitable for indoor pools or other chlorinated environments.