

# CC-1420-SR

# CABLE COUPLERS

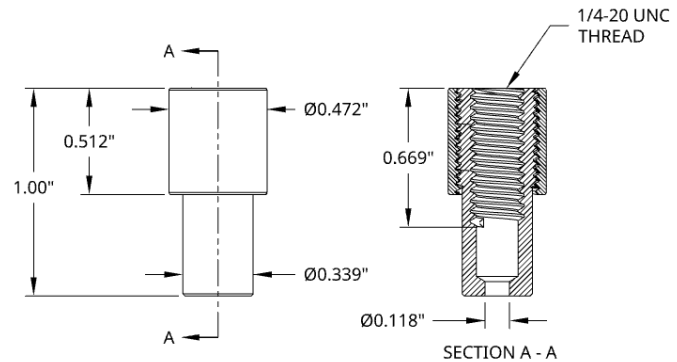
Fixed cable suspension hardware for quick and easy installs. For multiple suspension applications including lighting, signage, art, acoustical, and displays.

### FEATURES/BENEFITS:

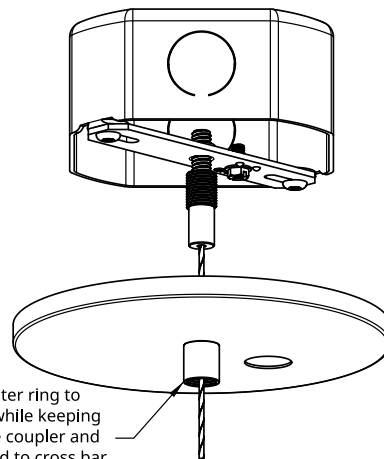
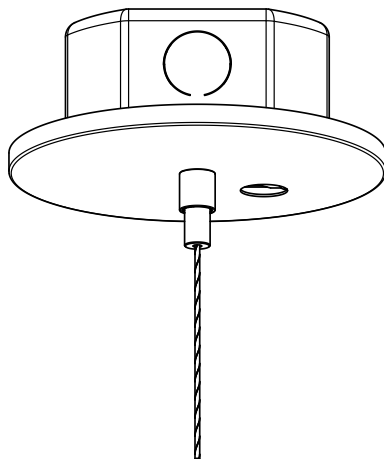
- 1) Fast & easy installation. For use with up to 3/32" cable with cylindrical or ball ends. 2) Strength & security. 3) Great Looks. Nickel plated machined brass. 4) Easily drop canopy without disconnecting aircraft cable suspension to work on electrical.



### DIMENSIONS:



### USEAGE INSTRUCTIONS:



Unscrew outer ring to drop canopy while keeping the rest of the coupler and cable connected to cross bar and junction box.

### SUBMITTAL INFORMATION:

#### MATERIAL

- UNS C3600 Brass      Plating: Bright Nickel

Working load limit is rated for full working load limit of cable diameter being used.

**NOT** suitable for indoor pools or other chlorinated environments.