

CC-1420-SL2

CABLE COUPLERS

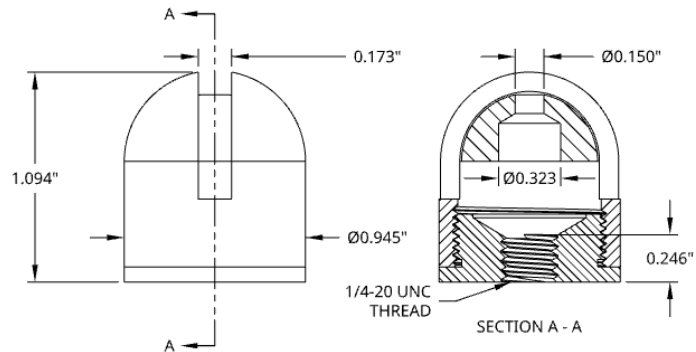
Fixed cable suspension hardware for quick and easy installs. For multiple suspension applications including lighting, signage, art, acoustical, and displays.

FEATURES/BENEFITS:

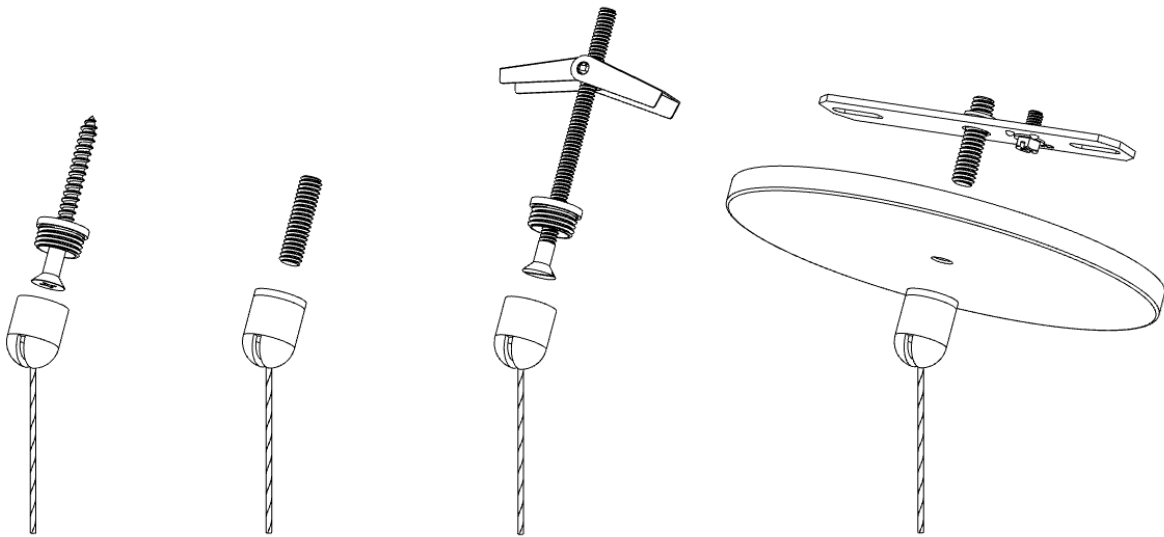
- 1) Fast & easy installation. For use w/ up to 1/8" cable with cylindrical or ball ends. 2) All metal parts. 3) Great Looks. Nickel plated machined brass. 4) Allows for adjustment w/ sloped or angled ceilings. 5) 3 Pieces allow for multiple mounting methods.



DIMENSIONS:



TYPICAL ATTACHMENT OPTIONS:



SUBMITTAL INFORMATION:

MATERIAL

- UNS C3600 Brass Plating: Bright Nickel

Working load limit is rated for full working load limit of cable diameter being used.

NOT suitable for indoor pools or other chlorinated environments.