

G10SE-M6E

G10 GRIPPERS

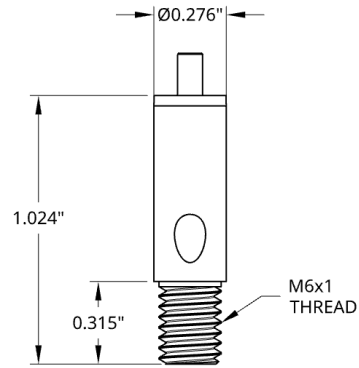
Tool less adjustable cable suspension hardware for quick and accurate installs. For multiple suspension applications including lighting, signage, art, acoustical, and displays.

FEATURES/BENEFITS:

- 1) Fast & easy installation. Adjusts quickly by hand.
- 2) Strength & security. As load increases mechanism grips tighter to cable. 5:1 safety factor.
- 3) All metal parts. No plastic components.
- 4) Great Looks. Nickel plated machined brass.



DIMENSIONS:

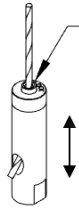


INSTALLATION:

Feed cable through gripper.

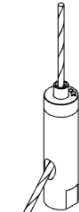


Depress plunger to adjust.

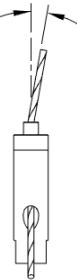


Adjust gripper up & down cable. Relieve load from gripper before adjusting.

Do NOT exceed 5°



1" minimum of excess cable after cutting or finished adjusting.



SUBMITTAL INFORMATION:

MATERIAL

- Housing, Top Cap & Plunger Release: UNS C3600 Brass Plating: Bright Nickel
- Ball Bearings: Brass
- Spring: 304 Stainless Steel

7x7 Galvanized Cable	
Cable Diameter	1.0mm
Working Load Limit (lbs)	25

7x7 304 Stainless Steel Cable	
Cable Diameter	1.0mm
Working Load Limit (lbs)	20

***WLL 5:1 Safety Factor**

NOT suitable for indoor pools or other chlorinated environments.