

G16SES-14201

G16 GRIPPERS

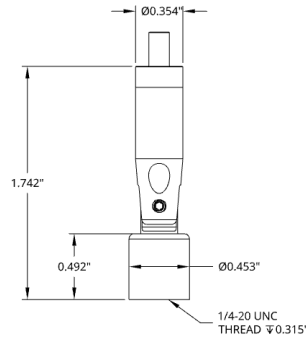
Tool less adjustable cable suspension hardware for quick and accurate installs. For multiple suspension applications including lighting, signage, art, acoustical, and displays.

FEATURES/BENEFITS:

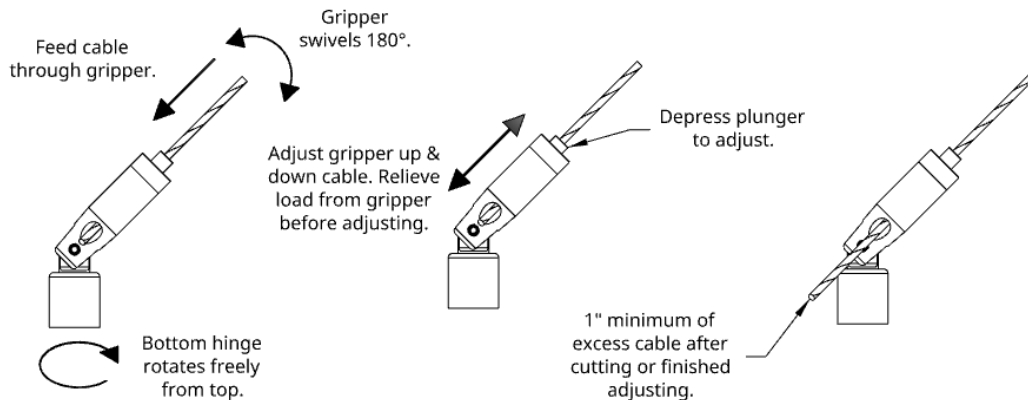
- 1) Fast & easy installation. Adjusts quickly by hand.
- 2) Strength & security. As load increases mechanism grips tighter to cable. 5:1 safety factor.
- 3) All metal parts. No plastic components.
- 4) Great Looks. Nickel plated machined brass.



DIMENSIONS:



INSTALLATION:



SUBMITTAL INFORMATION:

MATERIAL

- Body: UNS C3600 Brass Plating: Bright Nickel
- Ball Bearings: Brass
- Spring: 304 Stainless Steel

| 7x7 Galvanized Cable | | |
|--------------------------|-------|-------|
| Cable Diameter | 3/64" | 1/16" |
| Working Load Limit (lbs) | 30 | 60 |

| 7x7 304 Stainless Steel Cable | | |
|-------------------------------|-------|-------|
| Cable Diameter | 3/64" | 1/16" |
| Working Load Limit (lbs) | 25 | 50 |

*WLL 5:1 Safety Factor

| Angle From Vertical | 0° | 15° | 30° | 45° | 60° |
|---------------------|----|------|------|------|------|
| Adjusted WLL Rating | 1 | 0.96 | 0.86 | 0.70 | 0.50 |

The working load limit (WLL) for a gripper is based on a vertical suspension. If the cable is being suspended at angle additional lateral forces are applied which reduces the WLL of the suspension. To figure actual WLL multiple the vertical WLL by the adjusted WLL. Example. 1/16" Galvanized cable of 60lbs at 60° is 60lbs x 0.50 = 30lbs WLL. **DO NOT EXCEED 60° FROM VERTICAL.**

NOT suitable for indoor pools or other chlorinated environments.

