


KA-NF5B-CGXX-XXX

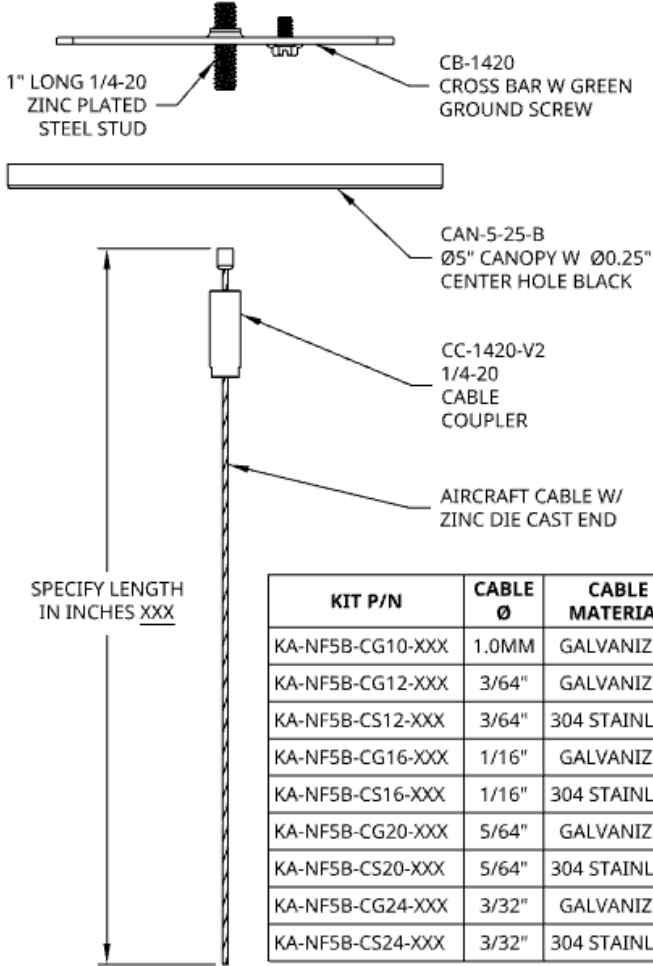
KITS ARCHITECTURAL

Ceiling mount cable suspension hardware for quick and accurate installs. For multiple suspension applications including lighting, electrical, signage, acoustical, and displays.

FEATURES/BENEFITS:

- 1) Fast & easy installation. Coupler joins cable to multiple ceiling hardware options with standard 1/4-20 thread.
- 2) Strength & security.
- 3) All metal parts. No plastic components.
- 4) Aesthetics. Canopy covers unattractive ceiling hardware.





SPECIFY LENGTH
IN INCHES XXX

KIT P/N	CABLE Ø	CABLE MATERIAL
KA-NF5B-CG10-XXX	1.0MM	GALVANIZED
KA-NF5B-CG12-XXX	3/64"	GALVANIZED
KA-NF5B-CS12-XXX	3/64"	304 STAINLESS
KA-NF5B-CG16-XXX	1/16"	GALVANIZED
KA-NF5B-CS16-XXX	1/16"	304 STAINLESS
KA-NF5B-CG20-XXX	5/64"	GALVANIZED
KA-NF5B-CS20-XXX	5/64"	304 STAINLESS
KA-NF5B-CG24-XXX	3/32"	GALVANIZED
KA-NF5B-CS24-XXX	3/32"	304 STAINLESS

SUBMITTAL INFORMATION:

Kit includes 1 each 1/4-20 Cross bar with green ground screw, 1/4-20 zinc plated steel stud, Ø5" ceiling canopy, 1/4-20 cable coupler & cable with zinc die cast per package. Specify cable length and material.

For material specifications and finishes please check specification sheet for the individual components.

NOT suitable for indoor pools or other chlorinated environments.