

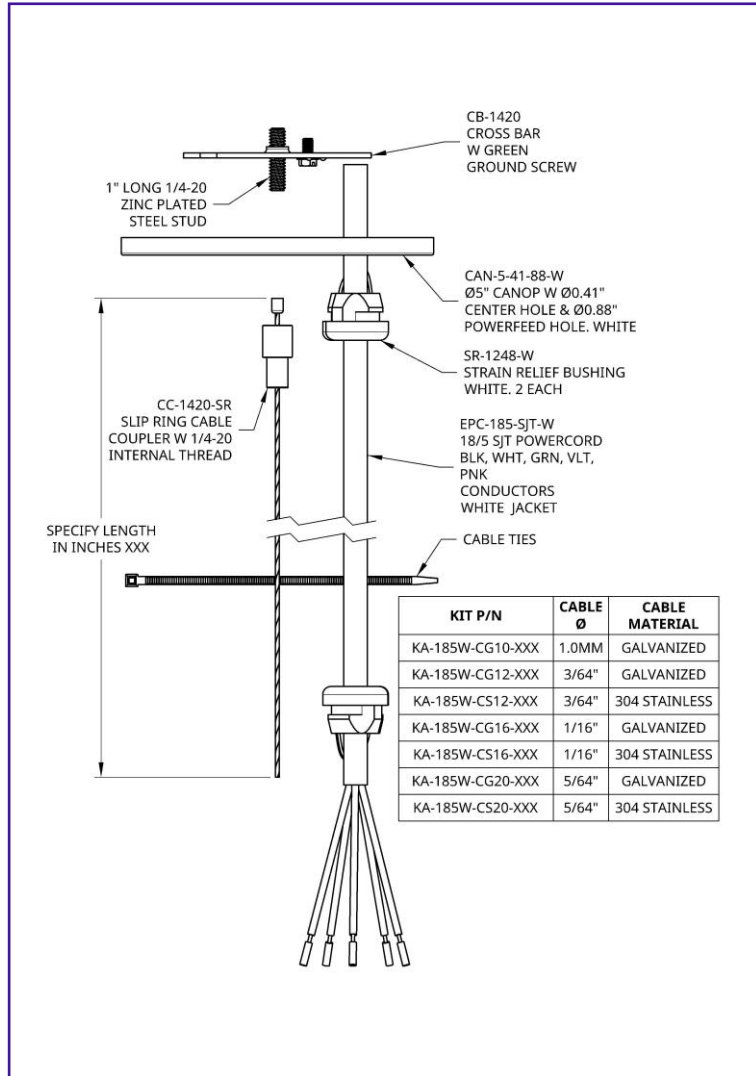
KA-185W-CXXX-XXX

KITS ARCHITECTURAL

Ceiling mount cable suspension hardware for quick and accurate installs. For multiple suspension applications including lighting, electrical, signage, acoustical, and displays.

FEATURES/BENEFITS:

- 1) Fast & easy installation. Coupler joins cable to multiple ceiling hardware options with standard 1/4-20 thread.
- 2) Strength & security.
- 3) Canopy covers standard hexagonal junction box.



SUBMITTAL INFORMATION:

Kit includes 2 each White nylon strain relief bushings. 1 each 1/4-20 Cross bar with green ground screw, 1/4-20 zinc plated steel stud, Ø5" ceiling canopy, 1/4-20 slip ring cable coupler, cable with zinc die cast, nylon cable ties and 18/5 white jacketed SJT powercord per package. Specify cable length and material.

For material specifications and finishes please check specification sheet for the individual components.

NOT suitable for indoor pools or other chlorinated environments.